

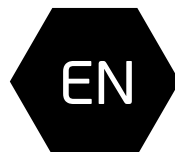
HYUNDAI



Электрический маслонаполненный радиатор

Руководство по эксплуатации.
Гарантийный талон.

Electric oil-filled radiator



Instruction manual.
Warranty card.

Модели / Models

H-H01-05-UI550
H-H01-07-UI551
H-H01-09-UI552
H-H01-11-UI553
H-H01-14-UI554
H-H02-05-UI555
H-H02-07-UI556
H-H02-09-UI557
H-H02-11-UI558
H-H02-14-UI559

**Table of contents**

Introduction	3
1. General	3
Description	3
Stock number interpretation	3
Appearance	4
Package contents	4
Technical specifications	5
2. Safe operation and installation of electric oil-filled radiator	6
General safety rules	6
3. Disposal	7
4. Assemble and installation	7
5. Connectins to the mains	7
6. Operation	8
7. Service	9
8. Transportation and storage	10



INTRODUCTION

Before installing and using the appliance, please very carefully read this instruction manual and manufacturer's warranty liabilities. Keep the instruction manual for future reference. If you hand over the appliance to another user, please hand over the instruction manual as well.

For more details or resolution of any occurred problems, please visit Hyundai website at www.hyundai-hvac.com. You can also contact the nearest regional service center of the manufacturer. If there are no service centers of the manufacturer in your region, please contact the regional dealer of Hyundai.

The content of this instruction manual has been checked and approved. The manufacturer is not responsible for any spelling mistakes in the text and incorrect interpretation of the instruction manual content.

The appearance, specifications, and package contents of the appliance can be modified by the manufacturer without preliminary notification.

1. GENERAL

Description

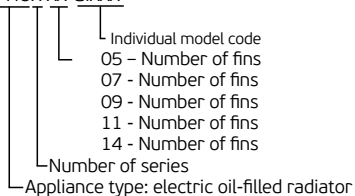
Oil-filled radiators are intended for primary or secondary space heating. Depending on the model, oil-filled radiators can be used in residential or office premises.



Stock number interpretation

Appliance
series

H-HOX-XX-UIXXX



Appearance

1. Front control panel
2. Operating mode indicator
3. Thermostat regulator
4. Heating power regulator
5. Roller wheels
6. Power cord storage
7. Radiator's oil containing sections
8. Fan heater*
9. Handle for moving

* only for H-HO2 series

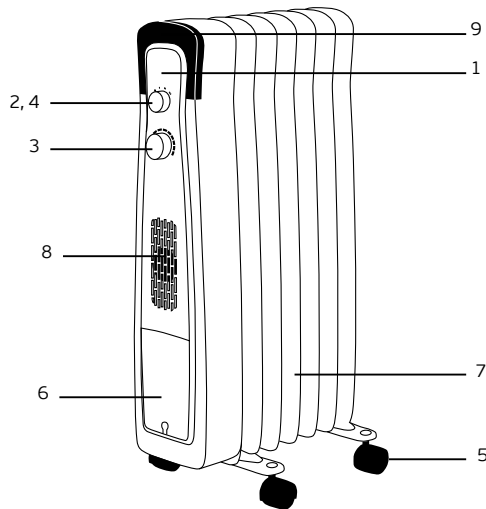
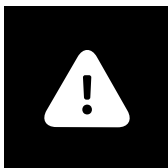


Fig. 1

Package contents

1. Oil-filled radiator - 1 pc
2. Roller wheels, assembled - 2 pcs
4. Finger nut - 1 set
5. User manual and Guarantee - 1 pcs



NOTE!

Design and technical characteristics of the oil heater, as well as its complete set may be changed by the manufacturer without prior notification, when it is needed to improve its quality.

Technical specifications

		H-H01-05- UI550	H-H01-07- UI551	H-H01-09- UI552	H-H01-11- UI553	H-H01-14- UI554
Nominal power consumption	W	1000	1500	2000	2300	2700
Rated voltage	V/Hz	~220/50	~220/50	~220/50	~220/50	~220/50
Rated Current	A	4,5	6,8	9,1	10,5	12,3
Water protection class	-	IPx0	IPx0	IPx0	IPx0	IPx0
Electric protection class	-	Class I	Class I	Class I	Class I	Class I
Number of fins	-	5	7	9	11	14
Heating area	m ²	10-14	15-18	20-23	24-27	27-30
Weight	kg	5,3	6,7	8,1	9,5	11,5
Dimensions	mm	625x272x280	625x348x280	625x424x280	625x500x280	625x614x280

		H-H02-05- UI555	H-H02-07- UI556	H-H02-09- UI557	H-H02-11- UI558	H-H02-14- UI559
Nominal power consumption	W	1400	1900	2400	2700	3100
Rated voltage	V/Hz	~220/50	~220/50	~220/50	~220/50	~220/50
Rated Current	A	6,4	8,6	10,9	12,3	14,1
Water protection class	-	IPx0	IPx0	IPx0	IPx0	IPx0
Electric protection class	-	Class I	Class I	Class I	Class I	Class I
Number of fins	-	5	7	9	11	14
Noise level	dB	58	58	58	58	58
Heating area	m ²	14-18	19-23	24-27	27-29	30-32
Weight	kg	5,8	7,2	8,6	10,0	12,4
Dimensions	mm	625x272x280	625x348x280	625x424x280	625x500x280	625x614x280



ATTENTION!

The manufacturer reserves the right to change the set-list of the device (including liquid and powder components) for different supplies without prior notice. The changes either in no way influence the basic technical parameters of the device or may improve them, and also not violate the legislation or quality standards of the countries of manufacture, transit and selling.

The changes in the set-list may result in changing of the weight and dimensions of the device, but not more than by +/- 5-20% (depending on the product category)

2. SAFE OPERATION AND INSTALLATION OF ELECTRIC OIL-FILLED RADIATOR

When operating appliance please observe safety rules. Improper operation or ignoring these rules can lead to harming health of the user and other people as well as damage to their property. The manufacturer is not liable for personal injury and damage property resulting from improper installation and operation of the device.

GENERAL SAFETY RULES

EN

1. Read this manual carefully before using the radiator.
2. The radiator is very hot when in use. To avoid burns, do not let bare skin touch hot surfaces. Keep the radiator at least 0.9 m from furniture, pillows, bedding, paper, clothes, curtains and other combustible materials. Let the radiator cool down before moving.
3. Extreme caution is necessary when the radiator is used near children and whenever the radiator is left operating and unattended.
4. Always unplug the radiator when not in use.
5. Do not operate radiator with a damaged cord or plug. To avoid the damage of electric shock, damaged cord should be replaced only in authorized service centers of the manufacturer by qualified specialists.
6. Do not use radiator outdoors.
7. This radiator is not intended for use in bathrooms, laundry areas or other similar wet indoor locations. Never locate radiator where it may fall into a bathtub or other water container.
8. Do not run cord of the radiator under carpeting and do not press it with furniture. Arrange cord where it will not be tripped over.
9. To shut-off the radiator, use a power switch. Do not switch on and switch off the appliance by connection and disconnection of electric supply.
10. Do not insert your fingers and do not allow foreign objects to enter any ventilation or exhaust opening as it may cause an electric shock or damage the radiator.
11. To prevent a possible fire, do not block air intakes or exhaust in any manner. Do not dry your clothes on the radiator! Do not use it on soft surfaces, like bed, where openings may become blocked. Use the radiator only on flat dry surface.
12. The radiator has hot sparking parts inside. Do not use it in areas where gasoline, paint or other flammable liquids are used or stored.
13. Use this radiator only as described in this manual. Any other use not recommended by the manufacturer may cause fire, electric shock or injury to persons.
14. Always unplug the radiator before cleaning. Do not submerge the radiator. Never pull the cord.
15. Avoid the change of a cord and the use of an extension cord because it may cause overheating and a risk of fire, as well as damage of internal electrical network. However, if you have to use an extension cord, the cord shall be polarized, with conductor cross-section of at least 1.0 mm² and rated not less than 1875 W.
16. Connect the radiator only to the ~220V, 50Hz electric network. If needed, find out the characteristics of your network from power supplier.

17. Install and operate the appliance only when upright. Do not operate the appliance in the horizontal or on the slant.

18. The appliance is not intended for use by handicapped persons (including children) with insufficient experience and knowledge, if they are not under observation or have not been instructed in the use of appliance from a person responsible for their safety. Make sure that children do not play with the radiator.

3. DISPOSAL

Detailed information on the recycling can be obtained from representative of the local authority. Service life of the device specified in the warranty card.

4. ASSEMBLY AND INSTALLATION

1. Unpack the radiator and roller wheels and remove all the packaging material.
2. Overturn the radiator on a mat or no soft surface, to avoid damage to lacquer coating.
3. Install wheel plates on the lower part of radiator sections, into two fixed supports.
4. Draw up two finger nuts on one side and two finger nuts on the other - in clamp extensions passed through the wheel plate supports, after making sure that 2 openings in the wheel plate match together with the clamp extensions.
5. Turn the radiator back and tip it up.



ATTENTION!

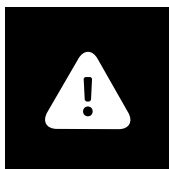
1. Switch on and operate the radiator only when upright (with wheels below and control elements above). Any other position may cause a dangerous situation and result in failure of the oil-filled radiator or damage of property and the manufacturer will consider this as a non-warranty case.

2. Do not switch the radiator on, if roller wheels are not installed



5. CONNECTING TO THE MAINS

1. Appliance is designed for connection to the plug with single-phase ~220 V, 50 Hz.
2. Before connecting, make sure that the voltage is correct as specified on the nameplate with the technical data of the device.
3. Appliance when connected to the plug must comply with applicable electrical codes.
4. Electric outlet must be properly grounded. The receptacle must be rated for at least 10A. Electrical plug and socket must always be kept dry to prevent electrical leakage. Regularly check that the electrical plug is firmly connected to the outlet. Verification is performed in the following order: Insert the mains plug into the socket. After half an hour, turn off the radiator and unplug the power cord, check with the hand, whether the plug is not heated. If the plug is heated to a temperature above 50 °C, in order to avoid damage, accidents, fire, due to poor electrical contact replace the socket with help of a specialist.



ATTENTION!

The power outlet should be rated at least 10A for models with a maximum capacity of up to 2000 W and at least 16A for models with a maximum capacity of more than 2000 W.

6. OPERATION

1. Read section «General safety rules» carefully unless you already did it.
2. Connect the unit's power cord to an electric outlet, observing all of the abovementioned precautions. Remember that you can connect the unit to electric mains only if the rotating power regulator is in OFF position (switched off), i.e. the knob is rotated against the stop counterclockwise.
3. It is also preferable to turn the temperature regulating knob against the stop counterclockwise. Then you can connect the unit to electric mains.
4. Set the unit's power regulator (knob) to position I, II or III (corresponds to low, normal and maximum power of unit's operation). Remember that the higher the power you choose, the faster the unit heats the air. But at a low power you save electric power and reduce the load on your electric mains.
5. After you chose the desired operating power in accordance with your individual preferences, you have to choose the desired heating temperature. Turning the thermostat knob clockwise (from MIN position towards MAX position), you thus adjust the temperature mode you need. Since the moment you choose the temperature mode (provided one or another power mode is activated see item 4) the oil filled radiator will start to operate.
6. During the first minutes of radiator's operation you may feel a slight smell of burning. It may be caused by dust on the unit; it will soon disappear. If necessary, you can perform a preliminary preventive cleaning of the unit, following rules, set forth in this manual and observing «General safety rules».
7. When the room temperature will reach the desired level, you should slowly turn the temperature regulator's knob counterclockwise (towards MIN). You will hear a click of the thermostat turning off, and the light on the control panel will go out. Now the room temperature will be maintained at the chosen level.
8. If you need to reduce the room temperature, turn the thermostat knob counterclockwise. Also you can lower the unit's operating power (I or II).
9. If you need to raise the room temperature, turn the thermostat knob clockwise (maximum possible position MAX indicator). Also you can raise the unit's operating power (II or III).
10. The lines of Hyundai oil filled radiators HO2 series are additionally equipped with a built-in fan heater, located on the front panel of the unit. To speed up the room heating, activate the fan heater by pressing the special button switch (the button can be located both on the front panel of the unit and on the side (to the left) of the front panel of the unit depending on the unit line). Pressing the fan heater button, you must select the ON position (switched on), upon that power supply will be automatically fed both to the fan motor and to the built-in heating element. If you need to turn on the fan heater, please, press the button again, selecting the OFF position (switched off).

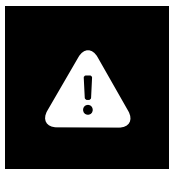
EN



ATTENTION!

In order to increase the operational life of the oil radiator is recommended to note the order unit is switched off. Shutting down the output without precooling of the heating elements can cause overheating and premature failure.

7. SERVICE



ATTENTION!

See «SAFE OPERATION AND INSTALLATION OF ELECTRIC OIL HEATER»

1. Remember that you must clean the unit regularly to remove dust from the surface of heating sections. Dust and dirt on the unit's surface have a negative effect on the unit's operational efficiency, in some cases a smell of burning dust can cause a headache and nausea, as well as other negative health effects. Also a dirty unit cannot operate 100% effectively, temperature parameters of the room heating can be disrupted.
 2. Prior to preventive cleaning of the unit, you must switch off the unit, unplug it from electric mains and let the unit cool down.
 3. Clean the unit's sections and other surfaces with a soft, slightly damp duster/cloth. The cloth must not leave fluff on the unit's surface.
 4. It is not recommended to use detergents, including materials containing abrasive elements.
 5. During cleaning, please, do not damage the unit's surface by sharp objects (hard sponge, polishing paper, etc). Scratches on the painted surface can result in rusting.
- Switch on and use the unit again only having carried out all «SAFE OPERATION AND INSTALLATION OF ELECTRIC OIL HEATER»; also make sure that the unit's surface is absolutely dry.

Troubleshooting	Possible causes	Removal
The heater heats poorly	<ul style="list-style-type: none"> • The heating element is faulty • Low voltage in the electric mains 	<ul style="list-style-type: none"> • Contact the authorized service center of Hyundai • Check voltage in the electric mains
The heater does not work	<ul style="list-style-type: none"> • No voltage in the electric mains • Breakdown of the electric cable • The automatic circuit breaker of the electric mains is faulty • Breakdown in the heating element circuit 	<ul style="list-style-type: none"> • Check presence of voltage in the electric mains. • Check integrity of the electric cable and if necessary replace it, contact an authorized service center Hyundai • Check operability of the automatic circuit breaker of the electric mains and replace the faulty circuit breaker if necessary • Contact the authorized service center of Hyundai

If you are not able to remedy a malfunction according to the recommendations or other malfunctions occur, contact the authorized service center of Hyundai.

8. TRANSPORTATION AND STORAGE

Temperature requirements*	Transportation and storage	From -30° to +50°
Humidity requirements*		From 15% to 85% (without a condensate)

We are exploring new technologies and we constantly improving the quality of our products. That's why specifications, design and accessories are subject to change without any specific notice.

* This product must have storage in dry, well-ventilated space of warehouse at the temperature not lower than -30°



Содержание

Введение	12
1. Обзор	12
Описание	12
Расшифровка артикула	12
Внешний вид	13
Комплектация	13
Технические параметры	14
2. Правила безопасной эксплуатации и установки электрического маслянополненного радиатора	15
Общие правила безопасности	15
3. Утилизация	16
4. Сборка и установка	16
5. Подключение к электрической сети	17
6. Эксплуатация	17
7. Обслуживание	18
8. Транспортировка и хранение	19
9. Сертификация	20



Уважаемый покупатель!

Благодарим Вас за удачный выбор и приобретение электрического маслянонаполненного радиатора Hyundai. Он прослужит Вам долго.

ВВЕДЕНИЕ

Перед установкой и использованием прибора очень внимательно изучите данное руководство и гарантийные обязательства производителя. Сохраните руководство для дальнейшего использования в качестве справочного материала. В случае передачи другому пользователю передайте ему прибор вместе с данным руководством. Для получения дополнительной информации или в случае возникновения проблем посетите сайт Hyundai www.hyundai-hvac.com. Можно также обратиться в ближайший региональный сервисный центр производителя. Если в Вашем регионе не представлен сервисный центр производителя, обратитесь к региональному дилеру Hyundai. Содержание данного руководства было проверено и одобрено. Производитель не несёт ответственности за любые орфографические ошибки в тексте и неверное толкование содержания руководства. Внешний вид, характеристики и комплектация прибора могут быть изменены производителем без предварительного уведомления об этом.

RU

1. ОБЗОР

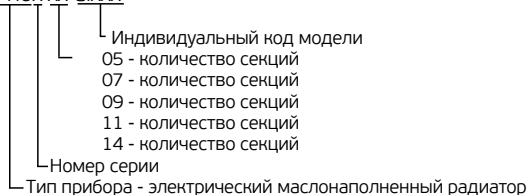
Описание

Электрические маслянонаполненные радиаторы предназначены для основного или дополнительного обогрева помещений. В зависимости от мощности электрические маслянонаполненные радиаторы могут применяться в бытовых и служебных помещениях малого метража.

Расшифровка артикула

серия
прибора

H-NOX-XX-UXXXX



Внешний вид

1. Лицевая панель
2. Ручка переключателя мощности
3. Ручка термостата
4. Индикатор нагрева
5. Роликовые колесики для перемещения радиатора (входят в комплект поставки)
6. Держатель сетевого шнура
7. Маслосодержащие секции радиатора
8. Встроенный тепловентилятор*
9. Ручка для перемещения

*только для серии H-H02

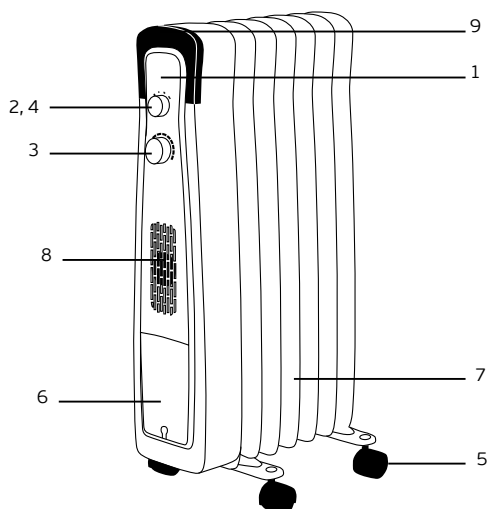


Рис. 1

Комплектация

1. Маслонаполненный радиатор - 1 шт
2. Роликовые колеса, в сборе - 2 шт
3. U-образная скоба - 2 шт
4. Барашковая гайка - 1 комплект
5. Руководство по эксплуатации и гарантийный талон- 1 шт

Технические параметры

		H-H01-05- UI550	H-H01-07- UI551	H-H01-09- UI552	H-H01-11- UI553	H-H01-14- UI554
Номинальная потребляемая мощность	Вт	1000	1500	2000	2300	2700
Номинальное напряжение питания	В/Гц	~220/50	~220/50	~220/50	~220/50	~220/50
Номинальная сила тока	A	4,5	6,8	9,1	10,5	12,3
Класс Влагозащиты	-	IPx0	IPx0	IPx0	IPx0	IPx0
Класс электрозащиты	-	Class I	Class I	Class I	Class I	Class I
Количество секций	-	5	7	9	11	14
Площадь обогрева	м2	10-14	15-18	20-23	24-27	27-30
Вес нетто	кг	5,3	6,7	8,1	9,5	11,5
Размеры	мм	625x272x280	625x348x280	625x424x280	625x500x280	625x614x280

		H-H02-05- UI555	H-H02-07- UI556	H-H02-09- UI557	H-H02-11- UI558	H-H02-14- UI559
Номинальная потребляемая мощность	Вт	1400	1900	2400	2700	3100
Номинальное напряжение питания	В/Гц	~220/50	~220/50	~220/50	~220/50	~220/50
Номинальная сила тока	A	6,4	8,6	10,9	12,3	14,1
Класс Влагозащиты	-	IPx0	IPx0	IPx0	IPx0	IPx0
Класс электрозащиты	-	Class I	Class I	Class I	Class I	Class I
Количество секций	-	5	7	9	11	14
Корректированный уровень звуковой мощности теплового излучателя	Дб	58	58	58	58	58
Площадь обогрева	м2	14-18	19-23	24-27	27-29	30-32
Вес нетто	кг	5,8	7,2	8,6	10,0	12,4
Размеры	мм	625x272x280	625x348x280	625x424x280	625x500x280	625x614x280



ВНИМАНИЕ!

Производитель оставляет за собой право для разных партий поставок без предварительного уведомления изменять комплектующие части изделия (включая заливаемые \ засыпаемые составляющие), не влияя при этом на основные технические параметры изделия или улучшая их, а также не нарушая изменениями принятые на территории страны производства \ транзита \ реализации стандарты качества и нормы законодательства.

Это может повлечь за собой изменение веса и габаритов изделия, но не более чем на +/- 5-20% (могут отличаться для разного вида изделий).

2. ПРАВИЛА БЕЗОПАСНОЙ ЭКСПЛУАТАЦИИ И УСТАНОВКИ ЭЛЕКТРИЧЕСКОГО МАСЛОНАПОЛНЕННОГО РАДИАТОРА

При эксплуатации маслянополненного радиатора соблюдайте правила безопасности. Неправильная эксплуатация в силу игнорирования данных правил может привести к причинению вреда здоровью пользователя и других людей, а также нанесению ущерба их имуществу. Производитель не несёт ответственности за причинённый вред здоровью и повреждение имущества в результате неправильной установки и эксплуатации прибора

RU

ОБЩИЕ ПРАВИЛА БЕЗОПАСНОСТИ

1. Прочитайте все инструкции перед использованием радиатора.
2. Радиатор при работе нагревается до очень высокой температуры. Чтобы избежать ожогов, не прикасайтесь руками и другими частями тела к горячим поверхностям. Располагайте радиатор на расстоянии не менее 0,9 м от мебели, подушек, постельных принадлежностей, бумаги, одежды, штор и других горячих предметов и материалов. Дайте радиатору остыть, прежде чем перемещать его.
3. Необходимо соблюдать крайнюю осторожность, когда рядом с работающим радиатором играют дети, и всегда, когда радиатор работает без присмотра.
4. Всегда выключайте радиатор из розетки, когда он не используется.
5. Не включайте радиатор, если его сетевой шнур или вилка имеют повреждения. Во избежание опасности поражения электрическим током, поврежденный сетевой шнур должен меняться только в авторизованных сервисных центрах изготовителя, квалифицированными специалистами.
6. Не используйте радиатор на улице.
7. Данный радиатор не предназначен для использования в ванных комнатах, прачечных или других аналогичных влажных помещениях. Ни в коем случае не размещайте радиатор в таких местах, где он может упасть в ванну или другую емкость с водой.
8. Не прокладывайте сетевой шнур радиатора под ковровыми покрытиями и не прижимайте его предметами мебели. Прокладывайте сетевой шнур так, чтобы об него невозможно было споткнуться.
9. Для отключения радиатора используйте выключатель питания. Не включайте и не отключайте устройство посредством подключения или отключения электрического питания.
10. Не просовывайте пальцы и исключите попадание посторонних предметов в какое-либо вентиляционные или вытяжные отверстия, так как это может привести к поражению электрическим током или повреждению радиатора.
11. Для предотвращения возможного пожара не загромождайте ничем воздухозаборные и вытяжные отверстия. Не вешайте и не сушите вещи на радиаторе! Не используйте радиатор на мягких поверхностях, например, на кровати, где отверстия могут быть заблокированы.

Используйте радиатор только на ровной сухой поверхности.

12. Радиатор содержит внутри горячие компоненты. Не используйте радиатор в местах использования или хранения бензина, краски или других легковоспламеняющихся жидкостей.

13. Используйте данный радиатор только так, как описано в данном руководстве. Любое другое использование, не рекомендованное изготовителем, может привести к пожару, поражению электрическим током или травмированию людей.

14. Ни в коем случае не выполняйте очистку радиатора, когда он включен в розетку. Не погружайте радиатор в воду. Никогда не тяните за сетевой шнур.

15. Во избежание перегрева и риска возникновения пожара, а также повреждения внутренней электрической сети, не изменяйте длину сетевого шнура и не подключайте устройство через электрические удлинители. Однако при необходимости можно использовать удлинитель, который должен быть рассчитан на минимальную мощность прибора.

16. Подключайте радиатор только к сети ~220В, 50Гц. При необходимости выясните характеристики своей сети у поставщика электроэнергии.

17. Устанавливайте и эксплуатируйте прибор в строго вертикальном положении. Запрещено эксплуатировать прибор в горизонтальном или наклонном положениях.

18. Прибор не предназначен для использования лицами (включая детей) с ограниченными физическими, сенсорными или умственными возможностями, обладающими недостаточным опытом и знаниями, если они не находятся под наблюдением и не получили инструкций по использованию устройства от лица, ответственного за их безопасность. Необходимо следить, чтобы дети не играли с радиатором.

3. УТИЛИЗАЦИЯ

По окончании срока службы электрический маслянонаполненный радиатор следует утилизировать. Подробную информацию по утилизации Вы можете получить у представителя местного органа власти.

Срок службы прибора указан в гарантийном талоне.

4. СБОРКА И УСТАНОВКА

1. Выньте радиатор и роликовые колёса из упаковки и удалите весь упаковочный материал.
2. Переверните радиатор вверх дном на коврик или мягкой поверхности, чтобы не повредить лакокрасочное покрытие.
3. Закрепите пластины колёс на нижнюю часть секций радиатора при помощи прилагаемых U-образных скоб и барашковых гаек, пропустив U-образную скобу под соединительный межсекционный элемент и соединив скобу с пластиной колес.
4. Затяните барашковую гайку с одной стороны и барашковую гайку с другой стороны в выступах трубки.
5. Переверните радиатор обратно и поставьте вертикально.



ВНИМАНИЕ!

1. Включайте и эксплуатируйте прибор только в вертикальном положении (с колесиками вниз, органами управления вверх). Любое другое положение создает опасную ситуацию и приведет к выходу из строя маслянонаполненного радиатора или прочее имущество и будет рассматриваться как не гарантийный случай.
2. Не включайте радиатор, если роликовые колеса не установлены.

5. ПОДКЛЮЧЕНИЕ К ЭЛЕКТРИЧЕСКОЙ СЕТИ

1. Прибор рассчитан на подключение к электрической сети с однофазным напряжением ~220 В, 50 Гц.
2. Перед подключением убедитесь, что параметры электросети в месте подключения соответствуют параметрам, указанным на маркировочной табличке с техническими данными прибора.
3. При подключении радиатора к электрической сети следует соблюдать действующие правила электробезопасности.
4. Электрическая розетка должна быть правильно заземлена. Розетка должна быть рассчитана на номинальный ток не менее 10А для моделей с максимальной мощностью до 2000 Вт, и не менее 16А для моделей с максимальной мощностью более 2000 Вт. Электрические розетка и вилка должны всегда оставаться сухими во избежание утечки электрического тока. Регулярно проверяйте, что электрическая вилка плотно подключена к розетке. Проверку производите в следующем порядке: вставьте электрическую вилку в розетку. Через полчаса работы выключите радиатор и выньте вилку из розетки, проверьте рукой, не нагрелась ли вилка. Если вилка нагрелась до температуры выше 50°C, во избежание повреждений, происшествий, возникновения пожара в результате плохого электрического контакта замените розетку на другую. Это должен делать специалист.



ВНИМАНИЕ!

Электрическая розетка должна быть рассчитана на номинальный ток не менее 10А для моделей с максимальной мощностью до 2000 Вт и не менее 16А для моделей с максимальной мощностью более 2000 Вт. Электрический кабель с жилой сечением не менее 3x1,5 мм² (для меди)



6. ЭКСПЛУАТАЦИЯ

1. Внимательно прочитайте раздел «Общие правила безопасности», если вы этого еще не сделали.
2. Подсоедините сетевой шнур прибора к электрической розетке, соблюдая все вышеперечисленные меры предосторожности. Помните, что подсоединять прибор к электрической сети можно только при условии, что ручка переключателя мощности стоит в положении «OFF» (выключено), т.е. ручка повернута до упора против часовой стрелки.
3. Желательно также повернуть ручку термостата до упора против часовой стрелки. После этого вы можете подключить прибор к электросети.
4. Установите ручку переключателя мощности в положение «I», «II» или «III» (соответствует низкой, средней и максимальной мощности нагрева прибора). Помните, что чем выше мощность нагрева вы выбираете, тем быстрее прибор будет нагревать воздух. Но при низкой мощности нагрева вы снижаете нагрузку на вашу электрическую сеть.
5. После того, как вы выбрали желаемую мощность нагрева в соответствии с вашими индивидуальными предпочтениями, вы должны выбрать желаемую температуру нагрева. помещения. Поворачивая ручку термостата по часовой стрелке (из положения «MIN» в сторону положения «MAX»), вы, таким образом, регулируете нужный вам температурный режим. С момента выбора температурного режима (при условии активации того или иного режима мощности см. п. 4) маслянонаполненный радиатор начнет нагрев, при этом загорится индикатор нагрева.
6. В первые минуты нагрева радиатора вы можете почувствовать легкий запах гари. Причиной может быть пыль на приборе; это скоро закончится. При желании вы можете провести предварительную профилактическую чистку прибора, соблюдая правила, изложенные в данном руководстве и соблюдая «Общие правила безопасности»

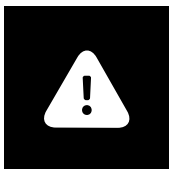
7. Когда температура в помещении достигнет желаемого уровня, медленно поверните ручку термостата против часовой стрелки (в направлении MIN). Вы услышите щелчок выключения термостата, при этом индикатор нагрева погаснет. Теперь температура в помещении будет поддерживаться на уровне, который вы выбрали.

8. Если вы захотите понизить температуру в помещении, то поверните ручку термостата против часовой стрелки. Также вы можете переключить мощность прибора на более низкую («I» или «II»)

9. Если вы захотите повысить температуру в помещении, то поверните ручку термостата по часовой стрелке (максимально возможное положение «MAX»). Также вы можете переключить мощность прибора на более высокую («II» или «III»)

10. Маслонаполненные радиаторы Hyundai серии H-HO2 дополнительно оснащены встроенным тепловентилятором, который расположен на лицевой панели прибора. Чтобы ускорить обогрев помещения, активируйте работу тепловентилятора, нажав выключатель (может быть расположен как на лицевой панели прибора, так и сбоку (слева) лицевой панели прибора в зависимости от серии прибора).

Нажимая на выключатель тепловентилятора, вы должны выбрать позицию «ON» (включено), при этом электропитание автоматически будет подаваться как на мотор вентилятора, так и на встроенный нагревательный элемент. Если вы хотите выключить тепловентилятор, пожалуйста, нажмите на выключатель повторно, выбрав позицию «OFF» (выключено).



ВНИМАНИЕ!

Для нормальной работы прибора уровень напряжения в электросети должен быть достаточен в строгом соответствии с указанными на приборе техническими параметрами. Внимательно изучите техническую наклейку, а также все наклейки со специальными предупреждениями, которые расположены на поверхности прибора.

7. ОБСЛУЖИВАНИЕ



ВНИМАНИЕ!

См. «Правила безопасной эксплуатации и установки электрического маслонаполненного радиатора»

1. Помните, что вы должны регулярно проводить чистку прибора для удаления пыли с поверхности обогревательных секций. Пыль и загрязнения на поверхности прибора отрицательно влияют на эффективность работы прибора, запах горячей пыли может вызывать в некоторых случаях головную боль и тошноту, а также другие негативные последствия для вашего здоровья. Также грязный прибор не может работать 100% эффективно, температурные параметры обогрева помещения могут быть нарушены
2. Перед проведением профилактических работ по чистке прибора, выключите прибор, отсоедините его от электрической сети и дайте прибору остыть.
3. Протрите секции прибора и прочие поверхности мягкой, слегка влажной тряпкой/куском ткани. Ткань не должна оставлять ворса на поверхности прибора
4. Не рекомендуется использовать моющие средства, в том числе средства с абразивными составами.
5. В процессе чистки, пожалуйста, не допускайте повреждения поверхности прибора острыми предметами.

ми предметами (жесткая губка, наждачная бумага и т.п.). Царапины на окрашенной поверхности могут привести к образованию ржавчины.

6. Включайте и используйте прибор снова, только выполнив все «Правила безопасной эксплуатации и установки электрического маслонаполненного радиатора»; также обязательно убедитесь, что поверхность прибора абсолютно сухая.

Неисправность	Причина	Способ устранения
Обогреватель плохо греет	<ul style="list-style-type: none"> • Неисправен нагревательный элемент • Низкое напряжение в электросети 	<ul style="list-style-type: none"> • Обратиться в авторизованный сервисный центр «Hyundai» • Проверить напряжение в электросети
Обогреватель не работает	<ul style="list-style-type: none"> • Отсутствует напряжение в электросети • Обрыв электрического кабеля • Неисправен автоматический выключатель электрической сети • Обрыв в цепи нагревательного элемента 	<ul style="list-style-type: none"> • Проверить наличие напряжения в электросети • Проверить целостность электрического кабеля и при необходимости его замены обратиться в авторизованный сервисный центр «Hyundai» • Проверить работоспособность автоматического выключателя электрической сети и при необходимости неисправный выключатель заменить. • Обратиться в авторизованный сервисный центр «Hyundai»



8. ТРАНСПОРТИРОВКА И ХРАНЕНИЕ

1. Прибор в упаковке изготовителя можно транспортировать на любое расстояние всеми видами закрытого транспорта при температуре от -50 °С до +50 °С и относительной влажности до 80% (при температуре воздуха +25 °С) в соответствии с правилами перевозки грузов, действующих на данном виде транспорта.

2. При транспортировании должны быть исключены любые возможные удары и перемещения упаковки внутри транспортного средства.

3. Упакованный прибор должен храниться в крытых вентилируемых помещениях при температуре воздуха -30 °С до +50 °С при относительной влажности до 80% (при температуре воздуха +25 °С). В помещении не должно быть агрессивных примесей, вызывающих коррозию.

4. При транспортировке и хранении должны строго соблюдаться требования манипуляционных знаков на упаковке прибора.

Мы изучаем новые технологии и постоянно улучшаем качество нашей продукции. Технические характеристики, конструкция и комплектация могут быть изменены без предварительного уведомления.

9. СЕРТИФИКАЦИЯ

При отсутствии копии нового сертификата в коробке, спрашивайте копию у продавца.

Серийный номер изделия, месяц и год изготовления указаны в составе UNIT CODE кода изделия, наклеенного на изделие и/или упаковку изделия. Месяц и последние цифры года внутри кода расположены после знака @ и знака тире в указанном порядке.



Электрический маслянополненный радиатор

HYUNDAI

| 21.

УВАЖАЕМЫЙ ПОКУПАТЕЛЬ!

Мы всегда рады предложить Вашему вниманию удобные пользовательские сервисы и продукты, нацеленные на то, чтобы сделать использование и обслуживание техники Hyundai еще более комфортным и удобным.

Именно поэтому мы рекомендуем Вам воспользоваться услугами специализированного портала www.btragt.ru, с помощью которого Вы можете заказать и оформить доставку всех необходимых расходных материалов и запчастей в течение гарантированного срока.

Всю дополнительную информацию о работе портала Вы можете найти на сайте www.hyundai-hvac.com.



HYUNDAI



Гарантийный талон

Территория действия:
Российская Федерация

Уважаемый покупатель! Обратите особое внимание на стр. 32

Действителен с Января 2014 года



Гарантийные обязательства

Бытовое изделие Hyundai

Гарантийное обслуживание и ремонт бытовой техники Hyundai с соблюдением требований и норм Изготовителя (Hyundai) производятся на территории РФ только в фирменных сервисных центрах Изготовителя или мастерских, уполномоченных производителем и работающих с ним на основании договора. Срок проведения экспертизы и гарантийного ремонта - не более 45 дней с момента приемки дефектного изделия авторизованным сервисным центром Hyundai.

Если при эксплуатации изделия Вы столкнулись с неполадками в его работе, которые Вы не можете устранить самостоятельно в строгом соответствии с Руководством по эксплуатации изделия, обратитесь к региональному представителю Изготовителя в России или в региональный авторизованный сервисный центр Hyundai, уточнив адрес у продавца. Полный перечень сервисных центров указан на сайте www.hc-hvac.ru или приложен отдельным списком в комплекте с изделием.

Вы можете обратиться в уполномоченную сервисную службу Изготовителя по телефону **+7 (495) 627-5285**, либо по телефонам, указанным на сайте www.hc-hvac.ru, или отправить сообщение по электронному адресу service@hc-hvac.ru

Гарантируется безотказная работа изделия в соответствии со сроками, указанными в гарантийном талоне. Обязательно ознакомьтесь с условиями гарантийных обязательств и приобретите от продавца правильный и четкий заполненный гарантийный талон.



ВНИМАНИЕ!

Сервисная сеть Hyundai рассматривает гарантийные требования при наличии правильно заполненного оригинального гарантийного талона установленного Изготовителем образца, товарного (кассового) чека или другого документа, подтверждающего дату и факт продажи на территории РФ.

Если отсутствие надлежащим образом заполненного гарантийного талона на изделие или отсутствие чека с указанием изделия не позволяет идентифицировать изделие и факт его продажи на территории РФ, то Изготовитель вправе отказать в гарантийном обслуживании изделия.

При невозможности определить дату продажи изделия, гарантийный срок исчисляется с даты его производства.

Дата производства изделия определяется по реестру Изготовителя в соответствии с серийным номером изделия.

На каждое изделие выписывается отдельный гарантийный талон.

Дорогой покупатель техники Hyundai,

мы выражаем Вам огромную признательность за Ваш выбор. Hyundai сделал все возможное, чтобы данное изделие удовлетворяло Вашим запросам, приносило радость и уют в Ваш дом, а качество соответствовало лучшим мировым образцам для данного класса изделия. Официальные сроки службы на изделия Hyundai разных видов, предназначенных для использования в быту, установлены изготовителем:

- для электрических конвекторов - до 20 лет;
- для кондиционеров воздуха, осушителей - 10 лет;
- электрических тепловых пушек и завес - 7 лет;
- инфракрасных обогревателей - 8 лет;

- электрических водонагревателей проточного типа - 3 года;
- электрических водонагревателей накопительного типа - 10 лет;
- остальных изделий - от 3 до 5 лет.

Указанные сроки службы действительны только при условии соблюдения правил эксплуатации и правильного ухода за изделиями. Полную информацию об официальных сроках службы для выбранной Вами модели Вы сможете найти на сайте www.hc-hvac.ru. Учитывая высокое качество, надежность и степень безопасности продукции Hyundai, фактический срок эксплуатации может значительно превышать официальный.

Заполнение гарантийного талона

Во избежание недоразумений убедительно просим Вас внимательно изучить Руководство по эксплуатации изделия и условия гарантийных обязательств, проверить правильность заполнения гарантийного талона. Согласно требованиям Изготовителя, гарантийный талон действителен только при наличии четко и правильно указанных данных: модели, серийного номера изделия, даты покупки, данных фирмы-продавца, подписи покупателя. Соответствующие данные также должны быть указаны продавцом на отрывных талонах. В отдельных случаях в гарантийном талоне обязательным является указание даты запуска изделия в эксплуатацию и штамп уполномоченной организации, производшей запуск в эксплуатацию (для изделий, требующих монтажа или предпусковой подготовки сертифицированным специалистом в соответствии с Руководством по эксплуатации). При проведении планового профилактического обслуживания изделия (там где это необходимо согласно руководству по эксплуатации) специалист сервисного центра обязан заполнить соответствующую часть гарантийного талона, поставить подпись и печать сервисного центра. Модель и серийный номер изделия (на маркировочной (идентификационной) наклейке Изготовителя на изделии (ID) должны соответствовать указанным в гарантийном талоне продавцом. При нарушении этих условий, а также в случае, когда данные, указанные в гарантийном талоне, изменены или стерты, талон может быть признан недействительным.



ВНИМАНИЕ!

Производитель рекомендует приобретать приборы Hyundai только у авторизованных продавцов (см. условия на стр. 30-32).

Общие гарантийные условия

Данным гарантийным талоном Изготовитель подтверждает принятие на себя обязательств по удовлетворению законных требований потребителей в случае обнаружения недостатков изделия, возникших по вине Изготовителя в течение установленного гарантийного срока. Сроки действия гарантии на отдельные типы изделий указаны на стр. 30. Гарантийные обязательства дополняют и уточняют оговоренные законом обязательства, предполагающие соглашение сторон либо договор; выдаются Изготовителем в дополнение к законным правам потребителей и ни в коей мере их не ограничивают. Гарантия Изготовителя действительна только на территории РФ на изделия, купленные на территории РФ и изготовленные для РФ. Наличие надлежащим образом заполненного гарантийного талона и чека необходимо в целях возможности идентификации таковых изделий и факта их законной продажи на территории РФ.

Изготовитель оставляет за собой право:

- отказать в гарантийном сервисном обслуживании изделия в случае несоблюдения изложенных ниже условий (см. «Досрочное прекращение гарантийного обслуживания»);
- самостоятельно инициировать независимую экспертизу для выяснения обстоятельств, приведших к выходу прибора из строя;
- сравнивать предоставленную маркировочную (идентификационную) наклейку изделия (ID) с данными реестров производства для проверки соответствия серийного номера изделия уникальным производственным номерам реестров.
- предоставлять дополнительную гарантию; информация об условиях дополнительной гарантии содержится на сайте www.hc-hvac.ru.



Просим Вас хранить Гарантийный талон в течение всего гарантийного срока, установленного Изготовителем на приобретенное Вами изделие.

При покупке изделия требуйте от продавца проверку его комплектности и отсутствия механических повреждений в Вашем присутствии, а также правильного и четкого заполнения данного гарантийного талона. Претензии по некомплектности и выявленным механическим повреждениям после продажи не принимаются. Для гарантийного ремонта предъявляйте Гарантийный талон вместе с чеком покупки с указанной датой покупки.



Общие правила установки, подключения и запуска в эксплуатацию изделий, для которых требуется выполнение этих работ специализированными организациями.

Установка, подключение и запуск в эксплуатацию изделий торговой марки Hyundai допускается исключительно специалистами и организациями, имеющими лицензии или соответствующие разрешения (допуски) на данный вид деятельности, либо специалистами и организациями, авторизованными для монтажа и/или обслуживания данного вида техники. О необходимости проведения тех или иных монтажных и/или сервисных работ специализированными организациями Вы можете узнать, внимательно ознакомившись с Руководством по эксплуатации на приобретенное Вами изделие.

Для монтажа приобретенного оборудования Вы можете воспользоваться платной услугой специалистов авторизованных сервисных центров Hyundai, которые проведут все необходимые работы для длительного и безопасного использования приобретенного Вами изделия. Вы можете также воспользоваться услугами любых других квалифицированных специалистов, однако, в этом случае, если изделие вышло из строя вследствие неправильной установки и подключения, Вы теряете право на бесплатное гарантийное обслуживание.

Досрочное прекращение гарантийного обслуживания.

Все условия гарантийного обслуживания регулируются Законодательством РФ и Законом РФ «О защите прав потребителей». В частности, отказ в бесплатном гарантийном обслуживании изделия может быть вызван:

- нарушением при оформлении гарантийного талона при продаже изделия;

- отсутствием товарного или кассового чека о продаже изделия или невозможностью определить продавца изделия;
- наличием следов механических повреждений, возникших после передачи изделия потребителю и явившихся возможной причиной возникновения дефекта;
- наличием повреждений, вызванных несоответствием стандартам параметров питающих сетей и других подобных внешних факторов, а также вызванных использованием нестандартных, неоригинальных (или некачественных) аксессуаров, принадлежностей, запасных частей, элементов и т.д.;
- нарушением правил Руководства по эксплуатации данного изделия;
- наличием следов несанкционированного вскрытия и/или ремонта изделия (за исключением случаев, предусмотренных Руководством по эксплуатации), повлекших за собой отказ в работе изделия;
- дефектом или отказом системы или ее части, где изделие использовалось как часть системы и это могло привести к дефекту или отказу изделия.



ВНИМАНИЕ!

Если в результате экспертизы/диагностики изделия установлено, что его недостатки возникли вследствие обстоятельств, за которые не отвечает продавец (изготовитель), либо недостатки в товаре отсутствуют, Потребитель обязан возместить продавцу (изготовителю или уполномоченной изготовителем организации) расходы на проведение экспертизы (диагностики, а также связанные с ее проведением расходы на хранение и транспортировку товара) в соответствии с Законом РФ «О защите прав потребителей» № 171-ФЗ в ред. от 21.12.2004 ст. 18 п.5.

RU

Гарантийные обязательства не распространяются на перечисленные ниже части и принадлежности изделия, если их замена не связана с разборкой самого изделия или их замена требуется при профилактическом обслуживании:

- внешние блоки питания и зарядные устройства;
- соединительные герметизирующие прокладки, переходники и переключатели;
- монтажные приспособления, инструмент и документацию, прилагаемую к изделию.
- расходные части изделия, подразумевающие периодическую замену за счет потребителя (анодные стержни, герметизирующие прокладки, фильтрующие элементы и др.);
- части и узлы изделия, неисправность которых связана с естественным износом в процессе эксплуатации (фильтрующие элементы, приводные ремни, ролики, свечи зажигания, втулки, подшипники и т.д.);
- материалы, наклеенные на изделие, имеющие рекламное или информационное назначение, за исключением маркировочной (идентификационной) наклейки Изготовителя (ID).



ВНИМАНИЕ!

Если маркировочная (идентификационная) наклейка на изделие Hyundai (ID) закреплена на изделии не плотно и существует риск ее утери, то вклейте ее в гарантийный талон на последней странице.

Изготовитель не несет гарантийных обязательств за изделие в следующих случаях:

- если изделие использовалось в иных целях, не соответствующих его прямому назначению в соответствии с Руководством по эксплуатации;
- если на изделии отсутствует маркировочная (идентификационная) табличка Изготовителя (ID);
- если изделие имеет следы несанкционированного вскрытия, не предусмотренного Руководством по эксплуатации, и попыток неквалифицированного ремонта;
- если дефект вызван изменением/нарушением конструкции или схемы изделия, не предусмотренным Изготовителем;
- если обнаружены повреждения, вызванные попаданием внутрь изделия посторонних предметов, веществ, жидкостей, насекомых, скоплением большого количества пыли;
- если обнаружены повреждения, связанные с замерзанием внутри прибора жидкостей, отложением накипи на нагревательных элементах и внутренних поверхностях прибора, вызванных большим содержанием в воде солей железа, натрия, кальция, марганца и др.;
- если обнаружены повреждения, вызванные подключением к сетям (электрической, водопроводной) с недопустимыми параметрами;
- если дефект вызван действием непреодолимых сил, несчастными случаями, умышленными или неосторожными действиями потребителя или третьих лиц;
- если нарушены требования Изготовителя по проведению обязательных для сохранения гарантии и продления срока службы профилактических работ, описанных в Руководстве по эксплуатации;
- неправильного хранения (консервации / разборки-сборки на период хранения) изделия;
- если монтаж и использование изделия производится без разрешительной документации исполнительных органов власти субъектов РФ там, где подобная документация требуется в соответствии с требованиями законодательства РФ (в т.ч. Жилищного Кодекса РФ);
- в случае эксплуатации изделия с неправильно отрегулированными газовыми клапанами, газовыми или гидравлическими редукторами, прочими блоками и устройствами, требующими предварительной и/или периодической настройки и регулировки (если данные виды работ производились неуполномоченными на то организациями или лицами, либо были нарушены сроки проведения плановых регламентных/профилактических работ согласно Руководству по эксплуатации).

Изготовитель снимает с себя любую ответственность за возможный вред, прямо и или косвенно нанесенный продукцией Hyundai людям, домашним животным, и имуществу, в случаях, если это произошло в результате несоблюдения правил и условий эксплуатации или вследствие неквалифицированной установки (профилактики, обслуживания, ремонта) изделия, умышленных или неосторожных действий потребителя или третьих лиц.

Особые условия гарантийного обслуживания для отдельных типов техники.

Газовое оборудование

Гарантия Изготовителя имеет силу только в случае установки, подключения и пуска в эксплуатацию газового оборудования (газовые котлы, обогреватели и водонагреватели) авторизованной специализированной организацией с обязательным составлением Акта запуска в эксплуатацию и указанием в гарантийном талоне даты запуска и штампа организации, произведшей первый запуск. Исключение составляют изделия, для которых Руководством по эксплуатации предусмотрены самостоятельные установка, подключение и



запуск в эксплуатацию самим потребителем.

Организация, производящая запуск в эксплуатацию и/или последующее сервисное обслуживание газового оборудования, должна иметь лицензии и/или разрешения на соответствующий вид деятельности (вид работ), а специалисты этой организации должны иметь соответствующие удостоверения (допуски) на проведение газовых работ.



Помните!

Изготовитель/импортер/продавец не несет ответственности в случае возникновения недостатков изделия из-за неправильных/некачественных монтажных, пусконаладочных, сервисных, профилактических работ неавторизованными организациями и специалистами.

Водонагревательное оборудование

Гарантийные обязательства Изготовителя не распространяются на случаи:

- если обнаружены повреждения, связанные с замерзанием внутри прибора жидкостей, отложением накипи на нагревательных элементах и внутренних поверхностях прибора, вызванных большим содержанием в воде солей железа, натрия, кальция, марганца и др.;
- если обнаружены повреждения, вызванные подключением к сетям (электрической, водопроводной) с недопустимыми параметрами, даже в случае кратковременного и однократного превышения параметров, указанных на маркировочной табличке Изготовителя на приборе и в Руководстве по эксплуатации на изделие;
- если водонагреватель эксплуатировался без защитных устройств или совместно с устройствами, имеющими не соответствующие водонагревателю технические характеристики и/или не рекомендованными Изготовителем (см. на сайте www.hc-hvac.ru или в Руководстве по эксплуатации);
- если обнаружены повреждения внутренних эмалированных емкостей из-за коррозии вследствие несвоевременной замены анодного стержня;
- если прибор вышел из строя в случае неиспользования потребителем умягчителя воды в районах, где вода по жесткости отличается от нормативов, принятых Изготовителем (см. на сайте www.hc-hvac.ru или в Руководстве по эксплуатации).

Таблица 1

Рекомендуемые профилактические работы для увеличения срока гарантии на внутреннюю ёмкость водонагревателя и нагревательный(-е) элемент (-ы), а также для выполнения условия долговременной работы водонагревателя в рамках заявленного срока службы и более.

Наименование рекомендуемых профилактических работ	Периодичность выполнения рекомендуемых профилактических работ для увеличения гарантии на нагревательный (-е) элемент (-ы)	Периодичность выполнения рекомендуемых профилактических работ для увеличения гарантии на внутреннюю ёмкость
Первоначальная проверка наличия и интенсивности образования накипи на нагревательном (-ых) элементе (-ах), определение сроков последующей проверки и удаления накипи, а также при необходимости удаление накипи с нагревательного (-ых) элемента (-ов).	Через первые 0,5 года после начала эксплуатации	-
Удаление накипи с нагревательного (-ых) элемента (-ов).	Не реже 1 раза в год или чаще в зависимости от определения интенсивности образования накипи на нагревательном (-ых) элементе (-ах), при первоначальной проверке.	-
Первоначальная проверка интенсивности образования накипи и осадка во внутренней ёмкости, определение сроков последующей проверки и очистки водонагревателя, а также при необходимости очистка водонагревателя.	-	Через первые 0,5 года после начала эксплуатации
Очистка внутренней ёмкости водонагревателя.	Не реже 1 раза в год или чаще в зависимости от определения интенсивности образования накипи и осадка во внутренней ёмкости, при первоначальной проверке.	Не реже 1 раза в год или чаще в зависимости от определения интенсивности образования накипи и осадка во внутренней ёмкости, при первоначальной проверке.



Первоначальная проверка состояния магниевого анода, интенсивности его разложения, определения сроков последующей проверки и замены магниевого анода, а также при необходимости его замены.	Через первые 0,5 года после начала эксплуатации	Через первые 0,5 года после начала эксплуатации
Замена магниевого анода.	Не реже 1 раза в год или чаще в зависимости от определения интенсивности разложения магниевого анода, при первоначальной проверке.	Не реже 1 раза в год или чаще в зависимости от определения интенсивности разложения магниевого анода, при первоначальной проверке.



ПРИМЕЧАНИЕ:

Периодичность профилактического обслуживания, а также сроки замены анодного стержня для водонагревателей устанавливаются мастером авторизованного сервисного центра при первом плановом обслуживании и определяется исходя из условий эксплуатации водонагревателя, жесткости и степени загрязненности воды. При проведении работ специалистом сервисного центра должна быть произведена соответствующая отметка в гарантийном талоне. При самостоятельном проведении замены анодного стержня владелец должен сохранять чеки на покупку анодного стержня.



Кондиционеры, устройства с компрессором

Гарантийные обязательства Изготовителя не распространяются на случаи:

- если покупатель самостоятельно без учета рекомендаций Изготовителя и продавца купил кондиционер надлежащего качества и установил в помещении, для которого изделие не подходит по своим техническим характеристикам;
- некачественного монтажа неавторизованной организацией/частными лицами, если не была правильно проведена вакуумизация трубопроводов, была проведена заправка недостаточного количества хладагента или допущены другие ошибки при монтаже (перегиб трубопроводов,
- негоризонтальное расположение блоков, нарушение допустимых перепадов высот установки между блоками и т.д.);
- эксплуатации изделия в недопустимых условиях и с нарушением режимов работы, прописанных в Руководстве по эксплуатации (например, использование режима обогрева сплит-системой при наружной температуре ниже -5°C без специального предохранительного от низкой температуры комплекта);
- если неисправность была вызвана нарушением сроков периодического обслуживания изделия;
- если неисправность была вызвана сильными загрязнениями фильтров и/или испарителя/конденсатора пылью, листвой, насекомыми и другими предметами.

Таблица 1

Рекомендуемые профилактические работы для увеличения срока гарантии на компрессор кондиционера, а также для выполнения условия долговременной работы кондиционера, в рамках заявленного срока службы и более.

Наименование рекомендуемых профилактических работ	Для бытовых помещений		Для офисных помещений		Для торговых помещений	
	Рекомендуемый интервал	Рекомендуемые сроки	Рекомендуемый интервал	Рекомендуемые сроки	Рекомендуемый интервал	Рекомендуемые сроки
Чистка теплообменников внешнего и внутреннего блоков						
Мойка ванны для сбора конденсата						
Продувка трубопровода конденсата	Не реже 1-го раза в год	Июль	Не реже 2-х раз в год	Май, август	Не реже 3-х раз в год	Май, июль, сентябрь
Общая проверка системы						
Дозаправка (при необходимости)						



Электрические обогреватели

- Гарантийные обязательства Изготовителя не распространяются на случаи:
- если обогреватель эксплуатировался в положении, отличном от указанного в Руководстве по эксплуатации на данный прибор;
- если неисправность изделия возникла в результате попадания внутрь изделия посторонних предметов, веществ, жидкостей, насекомых, скоплением большого количества пыли;
- если в процессе эксплуатации был затруднен проход воздуха через вентиляционные отверстия и решетки (например, прибор накрывался какими-либо предметами, шторами, производилась сушка одежды без использования специальных, предусмотренных Изготовителем в Руководстве по эксплуатации устройств, большое скопление пыли снаружи и внутри прибора и т.д.)



ВНИМАНИЕ!

Если вы устанавливаете электрический конвектор без защиты от опрокидывания на ножки, то гарантия на прибор считается аннулированной, и потребитель осуществляет ремонт прибора полностью за свой счет. Электрические конвекторы с защитой от опрокидывания имеют специальную информацию на упаковочной коробке, также эта информация содержится в инструкции по эксплуатации прибора.



ВНИМАНИЕ!

Пожалуйста, потребуйте от продавца полностью, четко и правильно заполнить бланк Гарантийного талона.

Стандартные гарантийные сроки для изделий, произведенных начиная с 01.01.2014 и имеющих ID установленной формы (см. рис. 1):

RU

- электрические кондиционеры воздуха, осушители воздуха, электрические маслонаполненные радиаторы, тепловые пушки, завесы - 2 года;
- электрические конвекторы, конвекционные радиаторы, панели, прочие электрические и газовые приборы (в т.ч. водонагреватели) - 1 год.

В части гарантии действуют дополнительные нормы, увеличивающие срок гарантии для различных компонентов ряда изделий:

Накопительные водонагреватели:

- Гарантия на течь емкости баков объемом более 30 литров включительно - 2 года (5 лет*);
- гарантия на течь емкости баков объемом менее 30 литров - 2 года (3 года*);
- гарантия на нагревательные элементы - 3 года*

Электрические конвекторы:

- нагревательный элемент серии - 3 года*

Кондиционеры воздуха:

- компрессор сплит-систем - 3 года*

* - **увеличенная гарантия** на отдельные компоненты и узлы изделий действует только при условии регулярного проведения периодического обслуживания изделия специалистами авторизованного сервисного центра. После каждого обслуживания в гарантийном талоне должны проставляться печати сервисного центра, подтверждающие факт прохождения

обслуживания. Если пользователь пропускает хотя бы одно обслуживание, то увеличенная гарантия на указанный компонент перестает действовать, и гарантия остается стандартной, как на весь прибор в целом. Перечень профилактических работ, а также примерные сроки прохождения периодического обслуживания, указаны в таблицах 1 и 2.



Рис. 1



ВНИМАНИЕ!

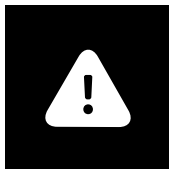
Техническое (профилактическое) обслуживание изделия (в т.ч. замена магниевого анода водонагревателя) не входит в гарантийные обязательства изготовителя и продавца и является дополнительной платной услугой.

Для ряда территорий могут действовать исключительные правила гарантии, увеличивающие срок на изделие или компоненты. Такие правила устанавливаются только по распоряжению Производителя официальным письмом Производителя.



ВНИМАНИЕ!

Если изделие использовалось в соответствии с его целями применения, установленными Руководством по эксплуатации, в рамках осуществления предпринимательской деятельности, то гарантийный срок изделия составляет 3 (три) месяца с момента продажи изделия или 5 (пять) месяцев с момента производства изделия, если дата продажи не установлена*. Срок проведения экспертизы и гарантийного ремонта - не более 45 дней с момента приемки дефектного изделия авторизованным сервисным центром Hyundai.



ВНИМАНИЕ!

Большинство приборов торговой марки Hyundai требуют профессиональных консультаций со специалистами соответствующей квалификации в процессе подбора, а также при вводе их в эксплуатацию. Производитель рекомендует приобретать приборы Hyundai только у авторизованных им продавцов. В предоставлении дополнительной гарантии может быть отказано, если прибор Hyundai был приобретен у продавцов, указанных соответствующем разделе на сайте www.hs-hvac.ru, не исполняющих полностью или частично требований производителя к правилам обслуживания покупателей, а также требований производителя к предоставлению стандартных условий приобретения приборов Hyundai.

* Кроме кондиционеров воздуха, смотри стр. 28

Покупатель информирован о том, что он не вправе требовать возврата или обмена купленного изделия в порядке статьи 25 Закона «О защите прав потребителей» и статьи 502 Гражданского Кодекса РФ в соответствии с п.11 «Перечня непродовольственных товаров надлежащего качества, не подлежащих возврату или обмену на аналогичный товар другого размера, формы, габарита, фасона, расцветки или комплектации» Постановления Правительства РФ от 19.01.1998 г. №55.

Подписывая данный гарантийный талон, Покупатель признает, что он:

1. Проверил заполнение информации на стр. 33
2. Получил Руководство по эксплуатации на изделие на русском языке.
3. Владеет всей необходимой информацией о приобретенном изделии и его потребительских свойствах, характеристиках в соответствии со статьей 10 Закона РФ «О защите прав потребителей».
4. Ознакомлен и полностью согласен с условиями и ограничениями гарантийного обслуживания, а также с условиями установки / подключения / сервисного обслуживания / эксплуатации приобретенного изделия.
5. Не имеет претензий к внешнему виду / комплектности / работоспособности (если прибор проверялся в его присутствии при продаже) приобретенного изделия.

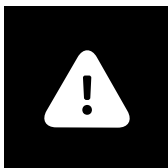


Подпись покупателя (с расшифровкой)

_____ / _____

Дата

Гарантийный талон



ВНИМАНИЕ!

Пожалуйста, потребуйте от продавца полностью заполнить гарантийный талон и отрывные талоны.

Заполняется фирмой-продавцом

Изделие
Модель
Серийный номер
Дата продажи
Фирма-продавец
Адрес фирмы-продавца
Телефон фирмы-продавца



Без подписи покупателя на странице 32 Гарантийный талон является недействительным.

Заполняется установщиком

Сведения об установке изделия

Фирма-установщик
Номер сертификата
Дата установки
Мастер

HYUNDAI

Печать
фирмы
-продавца

Заполняется сервисным центром

«А»

Дата приема

Дата выдачи

Особые отметки

Печать
сервисного
центра

«Б»

Дата приема

Дата выдачи

Особые отметки

Печать
сервисного
центра



«В»

Дата приема

Дата выдачи

Особые отметки

Печать
сервисного
центра

«Г»

Дата приема

Дата выдачи

Особые отметки

Печать
сервисного
центра

Дата приема	
Дата выдачи	
Особые отметки	
Номер заказа-наряда	
Проявление дефекта	
Мастер	Печать сервисного центра
Код неисправности	
Заполняется сервисным центром		

Дата приема	
Дата выдачи	
Особые отметки	
Номер заказа-наряда	
Проявление дефекта	
Мастер	Печать сервисного центра
Код неисправности	
Заполняется сервисным центром		



Дата приема	
Дата выдачи	
Особые отметки	
Номер заказа-наряда	
Проявление дефекта	
Мастер	Печать сервисного центра
Код неисправности	
Заполняется сервисным центром		

Дата приема	
Дата выдачи	
Особые отметки	
Номер заказа-наряда	
Проявление дефекта	
Мастер	Печать сервисного центра
Код неисправности	
Заполняется сервисным центром		

Отрывной талон «А»

Изделие	HYUNDAI
Модель	
Серийный номер	
Дата продажи	
Фирма-продавец	Печать сервисного центра
Заполняется фирмой-продавцом		

Отрывной талон «Б»

Дата приема	HYUNDAI
Дата выдачи	
Особые отметки	
Номер заказа-наряда	
Проявление дефекта	
Мастер	Печать сервисного центра
Код неисправности	
Заполняется фирмой-продавцом		

Отрывной талон «В»

Дата приема	HYUNDAI
Дата выдачи	
Особые отметки	
Номер заказа-наряда	
Проявление дефекта	
Мастер	Печать сервисного центра
Код неисправности	
Заполняется фирмой-продавцом		

Отрывной талон «Г»

Дата приема	HYUNDAI
Дата выдачи	
Особые отметки	
Номер заказа-наряда	
Проявление дефекта	
Мастер	Печать сервисного центра
Код неисправности	
Заполняется фирмой-продавцом		

Профилактическое обслуживание изделия.

(Заполняется специалистом авторизованного сервисного центра Hyundai)

№№	Дата выполнения работ	Перечень выполненных работ	Наименование СЦ	Ф.И.О. исполнителя, подпись, печать



Профилактическое обслуживание изделия.

(Заполняется специалистом авторизованного сервисного центра Hyundai)

№№	Дата выполнения работ	Перечень выполненных работ	Наименование СЦ	Ф.И.О. исполнителя, подпись, печать



Страна	Наименование сервисного центра	Код города	Телефон	Фактический адрес, электронный адрес	Примечание
Россия	ООО «Авангард Холго»	(495)	710-71-72, 627-52-85	г. Москва, Ленинградское ш., д. 57, корп.12, 2 этаж service@hc-hvac.ru	Единая сервисно-информационная служба на территории России.
Казахстан				kz.service@hyundai-hvac.com	
Белорусия				by.service@hyundai-hvac.com	



Вниманию покупателей!



Список сервисных центров Hyundai может быть дополнен или изменен без специального предварительного уведомления. Информация регулярно обновляется на сайте www.hc-hvac.ru, в разделе «Сервис».

Также вы всегда можете задать свои вопросы, касающиеся сервисного обслуживания техники Hyundai, позвонив по телефону +7 (495) 627-5285.

Если у вас возникли претензии к работе сервисного центра Hyundai в вашем городе, просьба информировать об этом Генерального сервисного партнера Hyundai по телефону +7 (495) 627-5285 или электронной почте service@hc-hvac.ru своевременно. Также мы будем благодарны, если вы сообщите нам о некорректных данных (адрес, контактный телефон, название и т.п.) сервисного центра Hyundai в вашем городе, указанного в этой специальной информационной вкладке.

Ваши пожелания помогут нам организовать сервисную поддержку техники Hyundai на более высоком уровне.

Спасибо за сотрудничество!



KO 제품 품질 보증 쿠폰은 해당 지역 디스트리뷰터에 요청하시기 바랍니다.



EN Ask distributor of your region for Warranty Coupon of a product.



ES Pida la garantía al distribuidor en su país.



KZ Бұйымның кепілдік талонын сатылған ел аумағындағы дистрибьютордан сұрастырыңыз.



BY Гарантыйны талон на выраб запытваць у дыстрыбутара на тэрыторыі краіны продажу.

HYUNDAI

Licensed by Hyundai Corporation, Korea

www.hyundai-hvac.com



EAC CE