

timberk

Руководство по эксплуатации
Instruction manual



Электрический
увлажнитель
воздуха

Electronic
humidifier

Модель/Model

THU UL 06



Производитель вправе менять внешний вид прибора и цветовую гамму прибора без специального уведомления
Outlook of devices, aslo colour scores can be revised without any special advance notices.

Dear customer!

Thank you for purchasing the Ultrasonic Humidifier. Each unit has been manufactured to ensure safety and reliability. Before first use, please read the instructions carefully and keep for future reference.

TABLE OF CONTENTS

1. Important information.....	2
2. Safety regulations.....	2
3. Technical characteristics.....	3
4. Parts description.....	4
5. Complect.....	4
6. Filling tank with water.....	5
7. Operation	5
8. The filter cartridge with an ion exchange resin.....	5
9. Cleaning your ultrasonic humidifier.....	5
10. Troubleshooting.....	6
11. Utilization.....	6

1. IMPORTANT INFORMATION

To improve product quality, its design, scope of delivery or manufacturing process can be revised without advance notice.

The text and digital notations in this manual may have misprints.

Should you have any questions on the functioning and operation of the device, please refer to the seller or a specialized service center to receive clarification.

There is a label on the product, indicating all necessary technical data and other useful information regarding the device.

Use the device only for purposes, stated in this manual.

The humidifier is intended to automatically maintain the preset level of relative humidity indoors. Comfortable conditions are achieved at relative humidity ranging from 40 to 60%. If the actual humidity goes below the level you set then the humidifier will switch on automatically and operate until the set relative humidity level is achieved, after that the humidifier switches off automatically (for models with the automatic operation mode).

Insufficient air humidity results in drying of mucous membranes, which in its turn is the reason for decrease in immunity, headache, lip cracking, "sandpaper" in the eyes, it also enables infection spreading and respiratory

tract diseases, causes fatigue, results in increased eye fatigue and worsening of attention focusing, it has a negative effect on the condition of pets and house plants, causes increase of dust generation and, increase of electrostatic charge of synthetic fabrics, as well as carpets and synthetic floor coatings, it causes damage of wooden furniture and especially parquet floors, it negatively affects tuning of musical instruments.

2. SAFETY REGULATIONS

Prior to operation of the humidifier carefully read this operation manual and save it for further use.

A number of safety measures should be followed upon operation of the device. Improper operation due to ignoring precautions may result in damaging of user's and other people's health, as well as damaging their property.

The humidifier is intended for operation in living rooms subject to the indicated operation conditions. The use of the humidifier for purposes other than that intended may cause situations, hazardous for the life and health of people.

The electric appliance must be kept watched during its operation, especially if there are children in the vicinity. The unit is not intended to be used by people (including children) with limited physical, sensory or intellectual capabilities, having insufficient experience and knowledge, unless they are supervised or received instructions on how to use the unit from a person, responsible for their safety. It is necessary to be careful that children do not play with the unit.

Do not use the unit for purposes, not specified by this operation manual.

It is forbidden to use the humidifier if the power cord or a plug are damaged, as well as if the humidifier is broken, damaged as a result of falling or under other circumstances. The humidifier must be operated fully assembled only.

To prevent burns upon operation of the humidifier do not touch the humidifier's membrane (for ultrasonic models). Due to high oscillations frequency the membrane heats up very much.

High-frequency oscillations of the ultrasonic humidifier membrane are not audible and completely safe for people and pets.

To prevent an electric shock, the damaged power cord must be replaced only in authorized service centers by qualified specialists.

To prevent an electric shock, do not place the power cord next to heating appliances and flammable or combustible substances.

To prevent injuries and damage to property, do not try to repair the humidifier on your own.

Take out the plug from an outlet in the following cases: prior to draining or filling the tank with water; prior to cleaning and maintenance; prior to mantling/dismantling of humidifier's elements; prior to transportation of the humidifier to another place.

Install the humidifier on to a smooth dry surface. The outgoing steam may damage surfaces it contacts. Do not install the humidifier on the floor, as well as in the vicinity of heating appliances, furniture and other objects.

The manufacturer and the seller do not bear any responsibility for damages, inflicted due to improper position of the humidifier.

The humidifier should be installed on some kind of an elevation, for example, on table, stand, etc.

It is not allowed to fill water into the humidifier through the atomizer.

Do not submerge the humidifier into water or other liquids.

Do not install the humidifier in places where it can be touched, tipped over, etc.

If the humidifier is not used, unplug it from electric mains.

Do not lay the power cord under a carpet or other objects. Position the humidifier so that the power cord cannot be stumbled upon.

Do not use the humidifier in damp rooms.

Do not allow foreign object to get into the humidifier.

Do not block the air intake and humidifier's atomizer.

Do not sit, stand and put heavy objects on the humidifier.

To prevent damage of the humidifier, do not add essential oils, preservatives, flavors and other foreign substances to humidification water. The manufacturer and the seller do not bear any responsibility for damages of the humidifier, inflicted due to failure to follow this requirement.

Do not pull the power cord and do not touch it by wet hands when you unplug the humidifier from electric mains.

3. TECHNICAL CHARACTERISTICS

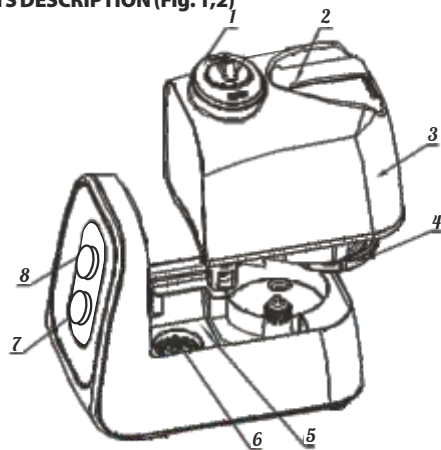
Tabel 1

Capacity of humidity, ml/h	300
Nominal power supply, V/Hz	220/50
Water tank, L	3,5
Nominal power consumption, W	30
Nominal rated current, A	0,136
Water protection	IPX0
Electrical protection class	II class
Device dimension, mm	269x165x269
Net weight, kg	1,9

The manufacturer reserves the right to change the set-list of the device (including liquid and powder components) for different supplies without prior notice. The changes either in no way influence the basic technical parameters of the device or may improve them, and also not violate the legislation or quality standards of the countries of manufacture, transit and selling.

The changes in the set-list may result in changing of the weight and dimensions of the device, but not more than by +\ -5-20% (depending on the product category)

4. PARTS DESCRIPTION (Fig. 1,2)

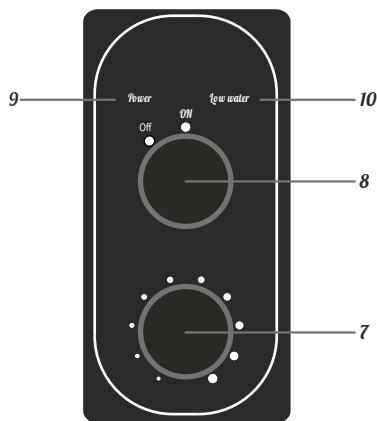


1. Sprayer*
2. The handle of the water tank
3. Water tank
4. Filter cartridge with ion exchange resins
5. The base under the tank for water
6. Ultrasonic transducer
7. Handle adjust the intensity of the steam
8. The handle on / off
9. Power indicator
10. Indicator of lack of water «Low water»

*Sprayer rotates 360°, the direction of spray vapor is adjusted manually by the user.

5. COMPLETE

1. Humidifier 1 pcs.
2. User manual 1 pcs.
3. Warranty card 1 pcs.
4. Carton box 1 pcs.
5. Cleaning brush 1 pcs.



! ATTENTION!

To avoid electric shock, before you disassemble the unit (take off the tank), unplug the appliance!

Do not fill the tank other liquids, except for tap water.

Another of the liquid is harmful to internal components and leads to failure.

Do not fill the device or reservoir for water additives such as essential oils, fragrances, detergent, chemical medicines, warm water (above 40 °), etc.

Otherwise, the water tank and the internal parts damaged and the device will come to a fault.

Do not pour water directly into the interior of the device or nebulizer.

The presence of water inside the unit may cause damage to the device.

Do not hit or throw a water reservoir. It may be damaged, leading to water leakage. Do not use the device in the event of a severe blow tank.

Fig. 1

Fig. 2

6. FILLING TANK WITH WATER

Before filling the tank with clear dispenser tank. If you do not, by turning the tank, spray drops. Without the spray device can not operate. When you move the humidifier does not grasp the handle of the tank. Necessary to hold the damper at the base.

1. Remove the sprayer, and then the water tank from the device.
2. Grasp the handle on the tank and pull it up.
3. Unscrew the tank counterclockwise.
4. Fill the tank with water.
5. Screw the lid on the tank clockwise.

Make a tight lid lock tank. Make sure that the rubber ring is installed on top of the tank. Tighten the lid clockwise.

Incomplete implementation of the above measures lead to ingress of air into the water tank and as a result of a malfunction.

6. Set the tank and spray on the device.

7. OPERATION

Connect the device to the mains. Pre-fill the tank with water.

To turn the unit on, turn knob (8) the right to On. (see Fig.1)

Then turn the knob of the intensity output pair (7) clockwise until it stops (maximum capacity). After about half a minute the device should go for maximum performance in moisture.

To control the intensity of the steam turn the knob (7) to the left and right. (see Fig. 2) Upon fall of water level in the reservoir lower minimum allowed the ultrasound membrane of the device cuts out automatically. The red detector lights up on the control panel. To continue the device functioning it is necessary to fill the reservoir with water in accordance with the paragraph 6 Filling the reservoir with water.

To turn the unit off, turn knob (8) in the left to Off. (see Fig.2)

8. THE FILTER CARTRIDGE

The set of the unit includes a cartridge filter with an ion exchange resin. Upon long use of the humidifier without replacement of resin a white residue may appear on the unit and objects next to it.

The white residue is calcium and magnesium comprised in the composition of ordinary tap water. When the ion exchange resin in the filter expires, they are released along with steam and settle on the surrounding objects and surfaces. Though these substances are safe for people, in large amounts they may have hazardous effect on furniture. By means of an ion exchange filter, installed at the bottom of the tank, calcium and magnesium are removed from tap water. At the beginning of operation the ion exchange filter can make water tea-colored. This doesn't affect safety or operation of the unit.

To replace the filter it is necessary to remove a cap by turning it counterclockwise and then remove the filter also by turning it counterclockwise. The new filter is installed in the reverse order. To purchase an ion exchange filter, please, contact the seller.

9. CLEANING YOUR ULTRASONIC HUMIDIFIER

The method of keeping clean:

Using purified water

Cleaning the base of unit, water tank and ultrasonic transducer every week

Always change to use clean water.

Always drain the water tank when not in use.

Clean all parts of the humidifier before storing by wiping with a damp cloth, and buffing with a dry cloth. (Except for the electrical control when the unit is off, any part of the humidifier may be wiped with a soft damp cloth, and buffed with a dry cloth, ensuring the unit is unplugged.)

The methods of cleaning the connector:

To clean the dirty surface with a soft brush.

Rinse the transducer with clean water.

The methods of cleaning the base of unit:

Clean the dirty flume with soft cloth.

If there is dirty on the surface of the protective switch of water line, using soft brush to clean.

Wash the flume with clean water.

ATTENTION!

In order to avoid deformation and erase the working surfaces, leading to reduced sputtering or other problems, do not use wire brushes, talcum powder or blades to wipe the transducer.

When strong shocks the water tank can leak.

When the water leaks immediately discontinue operation of the unit and contact your dealer.

To maintain the unit in a dry state to remove the water after cleaning and be sure to dry the water tank and the enclosure.

Make sure that inside the water tank and the enclosure is left of water.

Before long a pause in the use of the device dry reservoir and surface of the device, install the tank in the housing and pack the humidifier in a plastic bag and then into the box.

Keep the instrument in a room with low humidity.

Storage device in unseasoned state leads to mold.

10. CHECK THE MALFUNCTION AND REPAIR

If your humidifier still can't work after dealing with above methods, please contact with Customer Service Center or local service department.

11. Utilization

The service life of the humidifier 2 years. At the end of the life of the humidifier should be subjected to disposal in accordance the rules, regulations and methods, at the place of disposal.

If your humidifier can't work, please ask the service department to repair:

Table 2

Symptom	Possible cause	Countermeasure
Poor spraying (insufficient output)	The device is operating in the low mode (low spraying rate)	No malfunction. If it is necessary to switch to the intensive mode, press the "Spraying rate" button in the manual setting mode and switch the device to the intensive mode
	The sprayer is clogged	Clean the sprayer
	Tank water temperature is too low	Set the maximum output. The humidifier output will increase in 10 minutes
No spraying	The plug is poorly inserted into a socket	Insert the device's plug into a socket properly
	Red light on the water indicator lighted up and went out (tank water is fully consumed)	Add water to the tank
White bloom appeared on things around the humidifier (salts, precipitated out of water)	Calcareous deposits formed on the membrane	Clean the humidifier's membrane with a special brush
	Water desalination cartridge is worn out (ion-exchange resin)	Replace the cartridge
Vapour has an unpleasant odour	Stale water is used	Clean the device in accordance with cleaning and maintenance instructions and fill it up with fresh water
	Remains of stale water or garbage built up in the water groove or the sprayer.	

Уважаемый покупатель!

Благодарим Вас за удачный выбор и приобретение увлажнителя воздуха Timberk. Он прослужит Вам долго.

СОДЕРЖАНИЕ

1. Важная информация.....	7
2. Правила безопасности.....	7
3. Технические характеристики.....	8
4. Описание прибора.....	9
5. Комплектация.....	9
6. Наполнение резервуара водой.....	10
7. Эксплуатация прибора.....	10
8. Фильтр картридж с ионообменной смолой.....	10
9. Чистка и обслуживание прибора.....	10
10. Поиск и устранение неисправностей.....	11
11. Утилизация.....	11
12. Информация о сертификации.....	12

1. ВАЖНАЯ ИНФОРМАЦИЯ

Производитель оставляет за собой право без предварительного уведомления покупателя вносить изменения в конструкцию, комплектацию или технологию изготовления изделия с целью улучшения его свойств. В тексте и цифровых обозначениях данного руководства могут быть допущены опечатки.

Если после прочтения руководства у Вас останутся вопросы по работе и эксплуатации прибора, обратитесь к продавцу или в специализированный сервисный центр для получения разъяснений. На изделии присутствует этикетка, на которой указаны все необходимые технические данные и другая полезная информация о приборе.

Используйте прибор только по назначению, указанному в данном руководстве.

Увлажнитель предназначен для увлажнения воздуха в помещении. Комфортные условия достигаются при относительной влажности воздуха от 40 до 60%. Недостаточная влажность воздуха приводит к высушиванию слизистых оболочек, что в свою очередь является причиной снижения иммунитета, головной боли, растрескивания губ, жжения в глазах, благоприятствует развитию инфекции и заболеваниям дыхательных путей, вызывает утомление, приводит к повышенной усталости глаз и ухудшению концентрации внимания, отрицательно влияет на состояние домашних животных и комнатных растений, приводит к усилению пылеобразования повышению электростатического заряда синтетических тканей.

2. ПРАВИЛА БЕЗОПАСНОСТИ

Перед вводом в эксплуатацию увлажнителя внимательно изучите данное руководство по эксплуатации и храните его для дальнейшего использования.

При использовании прибора, необходимо соблюдать ряд мер предосторожности. Неправильная эксплуатация в силу игнорирования мер предосторожности может привести к причинению вреда здоровью пользователя и других людей, а также нанесению ущерба их имуществу. Увлажнитель предназначен для работы в жилых помещениях с соблюдением указанных условий эксплуатации. Использование увлажнителя не по назначению может создавать ситуации, опасные для жизни и здоровья людей.

Электроприбор должен находиться под наблюдением во время его эксплуатации, особенно, если неподалёку от него находятся дети. Устройство не предназначено для использования лицами (включая детей) с ограниченными физическими, сенсорными или умственными возможностями, обладающими недостаточным опытом и знаниями, если они не находятся под наблюдением и не получили инструкций по использованию устройства от лица, ответственного за их безопасность. Необходимо следить, чтобы дети не играли с устройством.

Не используйте устройство, в целях, непредусмотренных этим руководством по эксплуатации.

Не допускается эксплуатировать увлажнитель, если сетевой шнур или штепсельная вилка имеют повреждения, а также, если увлажнитель неисправен, поврежден при падении или при других обстоятельствах. Увлажнитель должен эксплуатироваться только в полностью собранном виде.

Во избежание ожога при работающем увлажнителе не прикасайтесь к мембране увлажнителя. Из-за высокой частоты колебаний мембрана сильно нагревается.

Примечание:

Высокочастотные колебания мембраны ультразвукового увлажнителя не слышны и совершенно безопасны для людей и домашних животных.

Во избежание опасности поражения электрическим током, поврежденный сетевой шнур должен меняться только в авторизованных сервисных центрах квалифицированными специалистами. Во избежание опасности поражения электрическим током не размещайте сетевой шнур рядом с нагревательными приборами и легковоспламеняющимися или горючими веществами.

Во избежание травм и повреждения имущества не пытайтесь самостоятельно ремонтировать увлажнитель.

Вынимайте штепсельную вилку увлажнителя из сетевой розетки в следующих случаях: перед сливом или заправкой резервуара водой; перед чисткой и техническим обслуживанием; перед монтажом/демонтажем элементов увлажнителя; перед перемещением увлажнителя на другое место.

Устанавливайте увлажнитель на ровной сухой поверхности. Выходящий из увлажнителя пар может повредить поверхности, на которые он попадает. Не устанавливайте увлажнитель на пол, а также в непосредственной близости от отопительных приборов, стен, мебели и других предметов.

За повреждения, полученные из-за неправильного расположения увлажнителя, изготовитель и продавец ответственности не несут.

Увлажнитель следует установить на каком-либо возвышении, например, на столе, тумбе и т.п.

Не допускается заливать в увлажнитель воду через распылитель.

Не погружайте увлажнитель в воду или другие жидкости.

Не устанавливайте увлажнитель на проходе или в других местах, где его могут задеть, опрокинуть и т.п.

Если увлажнитель не используется, отключите его от сети электропитания.

Не прокладывайте сетевой шнур под ковром или другими предметами. Расположите увлажнитель так, чтобы случайно не задеть сетевой шнур.

Не используйте увлажнитель в сырых помещениях.

Не допускайте попадания в увлажнитель посторонних предметов.

Не загромождайте посторонними предметами воздухозаборное отверстие и распылитель увлажнителя.

Не садитесь, не вставайте и не ставьте тяжелые предметы на увлажнитель.

Во избежание повреждения увлажнителя не добавляйте в используемую для увлажнения воду эфирные масла, консервирующие добавки, ароматизаторы и другие посторонние примеси. За повреждения увлажнителя, полученные из-за невыполнения данного требования, изготовитель и продавец ответственности не несут.

При отключении увлажнителя от сети электропитания не тяните за сетевой шнур и не дотрагивайтесь до него влажными руками.

3. ТЕХНИЧЕСКИЕ ХАРАКТЕРИСТИКИ

Таблица 1

Производительность по увлажнению, мл/ч	300
Номинальное напряжение, В/Гц	220/50
Объем бака, л	3,5
Номинальная потребляемая мощность, Вт	30
Номинальный ток, А	0,136
Степень защиты	IPX0
Класс электрозащиты	II class
Размеры прибора, мм	269x165x269
Вес нетто, кг	1,9

Производитель оставляет за собой право для разных партий поставок без предварительного уведомления изменять комплектующие части изделия (включая заливаемые \ засыпаемые составляющие), не влияя при этом на основные технические параметры изделия или улучшая их, а также не нарушая изменениями принятые на территории страны производства \ транзита \ реализации стандарты качества и нормы законодательства.

Это может повлечь за собой изменение веса и габаритов изделия, но не более чем на +/- 5-20% (могут отличаться для разного вида изделий).

4. ОПИСАНИЕ ПРИБОРА (рис. 1,2)

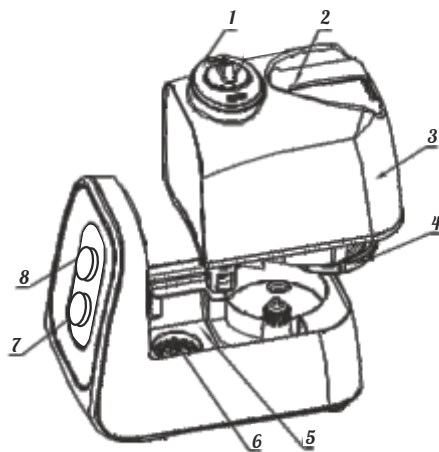


Рис. 1

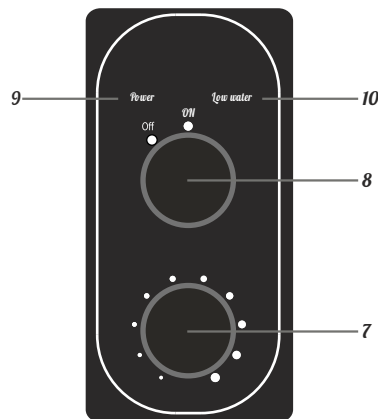


Рис. 2

1. Распылитель*
2. Ручка резервуара для воды
3. Резервуар для воды
4. Фильтр-картридж с ионообменной смолой (крышка с клапаном резервуара для воды)
5. Основание прибора под резервуаром для воды
6. Ультразвуковая мембрана
7. Ручка регулировки интенсивности выхода пара
8. Ручка включения/выключения прибора
9. Индикатор электропитания «POWER»
10. Индикатор отсутствия воды «LOW WATER»

* Распылитель вращается на 360°, направление распыления пара регулируется вручную по усмотрению пользователя.

5. КОМПЛЕКТАЦИЯ

1. Увлажнитель воздуха 1 шт.
2. Руководство по эксплуатации 1 шт.
3. Гарантийный талон 1 шт.
4. Упаковка 1 шт.
5. Щеточка для чистки - 1 шт.



ВНИМАНИЕ!

Во избежание поражения электрическим током, перед тем, как разбирать прибор (снимать резервуар), отключите прибор от электросети!

Не наполняйте резервуар иными жидкостями, за исключением водопроводной воды. Другой состав жидкостей оказывает вредное воздействие на внутренние детали и приводит к неисправности.

Не наполняйте устройство или резервуар для воды такими добавками как эфирное масло, ароматизирующее вещество, моющее средство, химические лекарственные препараты, теплая вода (свыше 40°) и т. д. В противном случае резервуар для воды и внутренние детали устройства повредятся и придет в неисправность. Не заливайте воду непосредственно во внутреннюю часть устройства или распылитель. Наличие воды внутри устройства может привести к неисправности прибора.

Не ударяйте и не бросайте резервуар для воды. Он может повредиться, что приведет к утечке воды. Не используйте устройство в случае сильного удара резервуара. Немедленно обратитесь в службу технического обслуживания или пункт технического обслуживания и ремонта. Каждый день наполняйте резервуар чистой водой и содержите прибор в чистоте.

6. НАПОЛНЕНИЕ РЕЗЕРВУАРА ВОДОЙ

Перед наполнением резервуара снимите распылитель с резервуара. Если этого не сделать, при переворачивании резервуара, распылитель упадет. Без распылителя прибор эксплуатировать нельзя. При перемещении увлажнителя не беритесь за ручку резервуара для воды. Необходимо придерживать увлажнитель у основания.

1. Снимите распылитель, а затем резервуар для воды с устройства.
2. Возьмитесь за ручку резервуара и потяните его вверх.
3. Открутите крышку резервуара против часовой стрелки.
4. Наполните резервуар водой.
5. Закрутите крышку резервуара по часовой стрелке.

Убедитесь в плотной фиксации крышки резервуара. Убедитесь в том, что резиновое кольцо установлено на крышку резервуара. Плотно закрутите крышку по часовой стрелке.

Неполное выполнение вышеуказанных мер приводит к попаданию воздуха в резервуар для воды и как следствие к неисправности.

6. Установите резервуар и распылитель на устройство.

7. ЭКСПЛУАТАЦИЯ ПРИБОРА

Подключите прибор к электросети, предварительно наполнив резервуар водой.

Для включения прибора поверните ручку включения/выключения (8) вправо в положение On (см. рис. 2).

Затем поверните ручку регулировки интенсивности выхода пара (7) (рис. 2) вправо до упора (максимальная интенсивность). Примерно через полминуты прибор должен выйти на максимальную производительность по увлажнению.

Для управления интенсивностью выхода пара поворачивайте ручку регулировки (7) влево и/или вправо (см. рис. 2).

При понижении уровня воды в резервуаре ниже минимально допустимого ультразвуковая мембрана прибора автоматичеки отключается и на панели управления загорается красный индикатор «Low water». Для продолжения работы прибора необходимо наполнить резервуар водой согласно п.в. «Наполнение резервуара водой».

Для выключения прибора поверните ручку регулировки (8) влево в положение Off (см. рис. 2).

8. ФИЛЬТР-КАРТРИДЖ С ИОНООБМЕННОЙ СМОЛОЙ

В комплект прибора входит фильтр-картридж с ионообменной смолой. При длительном использовании увлажнителя без замены смолы на приборе и на предметах рядом с ним может появиться белый осадок.

Белый осадок – это кальций и магний, которые входят в состав обычной водопроводной воды. При обработке ресурса ионообменной смолы в фильтре или большом содержании этих веществ в используемой воде они выпускаются вместе с паром и оседают на окружающие предметы и поверхности.

Хотя эти вещества являются безопасными для людей, в больших количествах они могут оказывать вредное воздействие на мебель.

При помощи ионообменного фильтра, который устанавливается на крышке резервуара, уменьшается содержание кальция и магния в водопроводной воде.

В начале работы ионообменный фильтр может окрашивать воду в цвет чая. Это не влияет на безопасность или работу прибора.

Ионообменный фильтр устанавливается на крышке резервуара для воды. При замене фильтра необходимо снять крышку, повернув ее против часовой стрелки, а затем удалить фильтр, также поворачивая его против часовой стрелки. Новый фильтр устанавливается в обратном порядке. Для приобретения ионообменного фильтра обратитесь к продавцу

ВНИМАНИЕ!

Полезный ресурс ионообменного фильтра составляет около 400 литров. Продолжительное использование после истечения срока службы снижает способность фильтрации жестких компонентов (кальций и магний) водопроводной воды. В результате повышается уровень образования белого осадка. Стандартный период замены фильтра составляет около 180 дней. В зависимости от разной частоты использования и качества воды период замены фильтра может уменьшаться.

Для уменьшения образования солей внутри прибора рекомендуется использовать смягченную воду из бытового фильтра.

9. ЧИСТКА И ОБСЛУЖИВАНИЕ ПРИБОРА

Перед началом чистки устройства убедитесь в том, что вилка отключена от розетки. В противном случае, это может привести к поражению электрическим током.

Проводите чистку устройства один или два раза в неделю.

Перед началом чистки дождитесь полного охлаждения воды в основании прибора, чтобы не обжечь руки.

Для протирки внешней поверхности устройства используйте влажную и мягкую ткань.

Таблица 2

Во избежание поражения электрическим током не царапайте и не повреждайте при чистке элементы устройства.

Не используйте при чистке прибора растворитель, бензин, диметилбензол, жесткую щётку, тальковую пудру и другие вещества, кроме воды.

Вытрите остатки воды внутри основания под резервуаром влажной и мягкой тканью.

Для удаления остатков воды на мелких деталях можно воспользоваться мягкой щеткой, а затем протереть их снова мягкой тканью.

При образовании грязи на мембране, очистите её с помощью мягкой щёточки и протрите мягкой тканью.



ВНИМАНИЕ!

Во избежание деформации и стирания рабочих поверхностей, ведущих к снижению уровня распыления или другим неисправностям, не пользуйтесь металлическими щетками, лезвиями или тальковой пудрой для протирания поверхности мембраны.

При сильных ударах резервуар для воды может протекать.

При появлении утечки воды незамедлительно прекратите работу устройства и обратитесь в сервисный центр.

Для поддержания прибора в сухом состоянии удалите воду после очистки и обязательно просушите резервуар для воды и корпус устройства.

Убедитесь в том, что внутри резервуара для воды и корпуса устройства не осталось воды.

Перед длительной паузой в использовании прибора просушите резервуар и поверхности устройства, установите резервуар в корпус прибора и упакуйте увлажнитель в пластиковый пакет, а затем в коробку.

Храните прибор в помещении с низкой влажностью.

Хранение устройства в непросушенном состоянии приводит к появлению плесени.

Промойте резервуар для воды и распылитель чистой водой. Крышку промывайте аккуратно и без усилий, в противном случае это приведет к протечке воды через крышку.

После удаления остатков воды с поверхности распылителя протрите его мягкой тканью. Очистите внешнюю поверхность устройства влажной и мягкой тканью.

10. ПОИСК И УСТРАНЕНИЕ НЕИСПРАВНОСТЕЙ

В случае возникновения аварийных ситуаций обратитесь к способам устранения неисправностей, указанным в таблице 2. В случае невозможности решения проблем указанными способами обратитесь в сервисный центр.

Неисправность	Возможная причина	Метод устранения
Слабое распыление (недостаточная производительность)	Устройство работает в слабом режиме (низкая частота распыления)	Неисправность отсутствует. При необходимости переключения на интенсивный режим работы поверните ручку регулятора в крайнее правое положение
	Засорился распылитель	Очистите распылитель
	Слишком низкая температура воды в резервуаре	Задать максимальную производительность. Через некоторое время производительность увлажнителя повысится
Отсутствует распыление	Плохо вставлена вилка в розетку	Аккуратно вставьте вилку прибора в розетку
На предметах вокруг увлажнителя появился белый налет (соли, выделяющиеся из воды)	На мембране образовались известковые отложения	Почистить мембрану увлажнителя специальной кисточкой
	Снизилась свойства фильтра	Замените фильтр
Пар имеет неприятный запах	Используется несвежая вода	Проведите очистку устройства в соответствии с инструкциями по очистке и обслуживанию и наполните свежей водой
	В основании прибора или распылителе скопились остатки несвежей воды или мусор	

11. УТИЛИЗАЦИЯ

Срок службы увлажнителя 2 года.

По истечении срока службы увлажнитель должен подвергаться утилизации в соответствии с нормами, правилами и способами, действующими в месте утилизации.

12. ИНФОРМАЦИЯ О СЕРТИФИКАЦИИ

Изделие соответствует директиве ЕЕС 89/336, касающейся электромагнитного оборудования

Гарантируется безотказная работа изделия в соответствии со сроками, указанными в гарантийном талоне. Обязательно ознакомьтесь с условиями гарантии и требуйте от продавца правильного и четкого заполнения гарантийного талона.

Гарантийный талон вложен в упаковку изделия

Timberk снимает с себя любую ответственность за возможный вред, прямо или косвенно нанесенный продукцией Timberk людям, домашним животным, имуществу в случае, если это произошло в результате несоблюдения правил и условий эксплуатации, установки изделия, умышленных или неосторожных действий потребителя или третьих лиц.

Товар сертифицирован на территории России органом по сертификации:

рег. № РОСС RU.0001.11AB71.

ПРОДУКЦИИ ООО "ОПТИМАТЕСТ". Фактический адрес: 123308. г. Москва, ул. Мневники, д.3, корп. 1, оф. 323;

Юридический адрес: 115162, г. Москва, Павла Андреева ул. №28, корпус 4, тел. +7 495 6044266, факс +7 495 6044266.

Товар соответствует требованиям нормативных документов:

ГОСТ Р 52161.2.30-2007,

ГОСТ Р 51318.14.1-2006 р.4,

ГОСТ Р 51318.14.2-2006 р.5,7,

ГОСТ Р 51317.3.3-2008,

ГОСТ Р 51317.3.2-2006 р.6,7

№ сертификата: RU C-IL.AB71.B.00081

Срок действия: с 5.07.2012 по 4.07.2015

Изготовитель*:

«Тимберк Хоум Хиатинг Эпплаенсис Компани» Хамасгер стрит, 10, Эйлат, Израиль 88000

Телефон/факс +972-8-637-88-311

Импортер*:

ООО «Гольфстрим»

Адрес: г. Москва, ул. Кожевническая, дом 1, стр.1, офис 606

телефон/факс (499) 638-26-77

По вопросам сервисной поддержки и качества приобретенного товара просьба обращаться по телефону:

+ 7 (495) 6275285

** Данные могут быть изменены в связи со сменой производителя, продавца, производственного филиала и/или импортера в РФ и/или страны ЕТС. Актуальную информацию Вы можете получить из содержания действующего на момент продажи сертификата соответствия, а также из данных этикетки, которой маркируется упаковка изделия до даты последующей продажи дистрибьютором на территории РФ или стран ЕТС.*

timberk

timberk



RU

Руководство по эксплуатации техники Timberk написано на английском языке и переведено на русский язык.

В целях информирования покупателей техники Timberk, мы дополнительно сообщаем, что русский является государственным языком в следующих государствах:

1. в Российской Федерации
2. в Республике Беларусь наряду с белорусским языком
3. в частично признанной Южной Осетии наряду с осетинским языком



BY

Русский язык является официальным языком (во всех случаях другой язык или другие языки выступают как государственный или второй официальный) в следующих государствах и на территориях:

1. в Республике Казахстан
2. в Киргизской Республике
3. в административных единицах Украины, где доля носителей русского языка составляет более 10%, при соответствующем решении местных советов
4. в Автономной Республике Крым



OS



TJ

В Республике Таджикистан русский язык признан по Конституции языком межнационального общения.



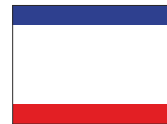
KG



KZ



UA



AK



CIS

Официальным языком международной организации Содружество Независимых Государств (СНГ) является русский язык.

timberk

www.timberk.com

www.timberk.ru



AB71